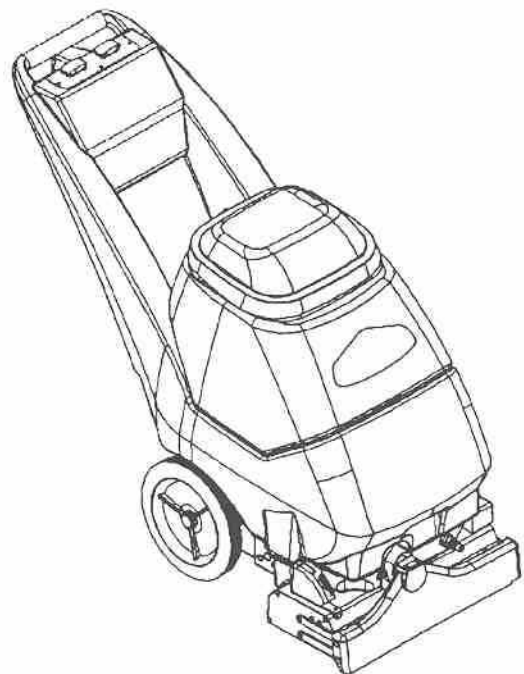


**TASKI**

**Ersatzteilliste**  
**Liste des pièces de rechange**  
**Spare parts list**

## **TASKI aquamat 30**



**DiverseyLever**

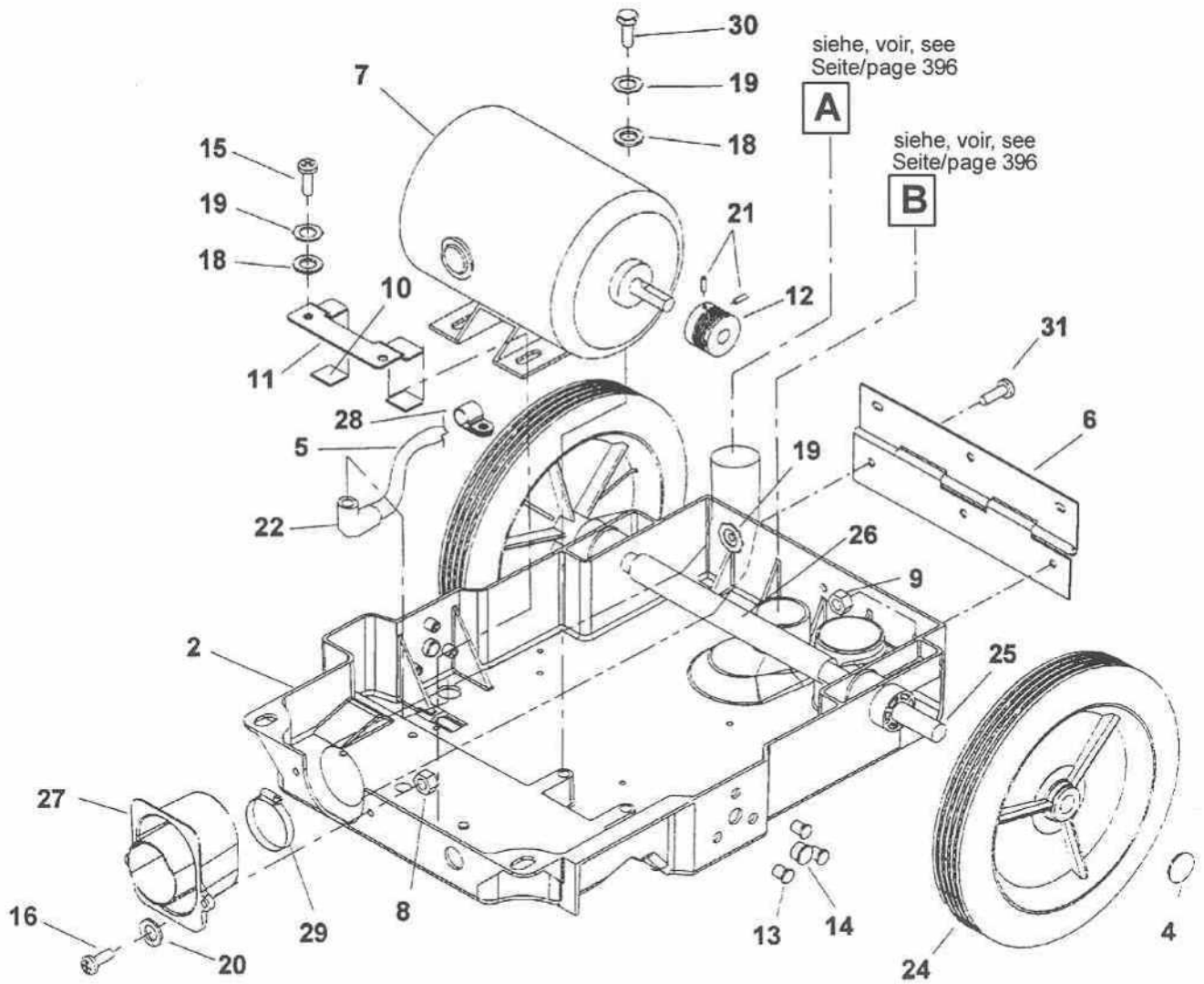
DiverseyLever AG Postfach CH-9542 Münchwilen  
Tel. 071/969 27 27 Fax: 071/969 22 53

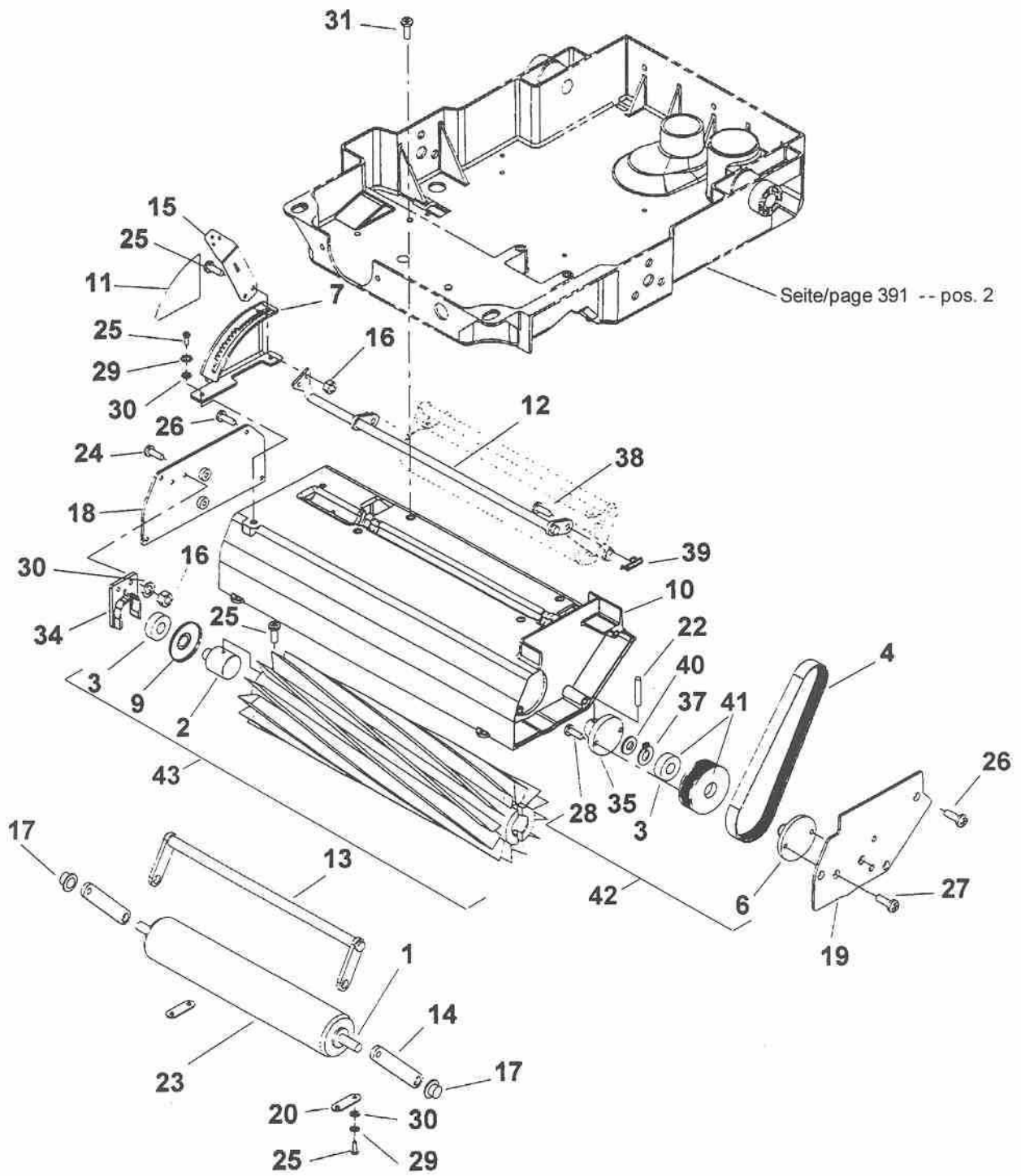
Ausführung/Execution; List(e) /1.A  
27.03.00 SPS

Typ <b>AQ 30</b>			Maschinen-Unterteil	Bâti de machine	Frame assembly
Serie <b>01</b>					
Pos.	Bestell-Nr. No. de commande Order-Nr.	Stück Pièces Qty.	Bezeichnung	Designation	Description
2	CH34341	1	MASCHINENRAHMEN	CADRE DE LA MACHINE	FRAME, CLP FAMILY
4	CH41236	2	HALTEKAPPE 5/8"	ANNEAU DE RETENUE 5/8"	HUBCAP, 5/8" SHAFT
5	CH41353	1	KABEL	CABLE	HARNESS, MAIN, CDT
6	CH41354	1	SCHARNIER	CHARNIERE	HINGE, TANK TO FRAME
7	CH53641	1	BUERSTENMOTOR 230 V	MOTEUR DE BROSSE 230 V	MOTOR 230V ASM, BRUSH CLP FAMILY
8	CH57030	2	SICHERUNGSMUTTER 10-32	ECROU SURETE 10-32	NUT, 10-32 HEX NYLOCK
9	CH57245	3	SICHERUNGSMUTTER 1/4-20	ECROU SURETE 1/4-20	NUT, 1/4-20 HEX NYLOCK SS
10	CH99809	2	DAEMPfung	AMORTISSEUR	FOAM TAPE
11	CH62761	1	PLATTE	PLAQUE	PLATE, BRUSH MTR CLAMP
12	CH64099	1	POULIE	POULIE	PULLEY, 1.4 OD, 6GR, MICRO-V
13	CH66282	6	STOPFEN	TAMPON	PLUG, HOLE, .375" BLK
14	CH66288	2	STOPFEN	TAMPON	PLUG, 9/16 OD BLK NYLON
15	CH70085	2	LI.ZYL.SCHRAUBE MIT KS 1/4-20 X 1/2	VIS A TETE CYL. BOMB. 1/4-20 X 1/2	SCR, 1/4-20 X 1/2 PPHMS SS
16	CH70386	2	LI.ZYL.SCHRAUBE MIT KS 10-32 X 1	VIS A TETE CYL. BOMB. 10-32 X 1	SCR, 10-32 X 1 PPHMS
18	CH87013	4	UNTERLAGSCHEIBE 1/4 ID X 5/8	RONDELLE 1/4 ID X 5/8	WASHER, 1/4 ID X 5/8 OD SS
19	CH87025	5	SICHERUNGSSCHEIBE 1/4	RONDELLE DE SURETE 1/4	WASHER, 1/4 LOCK EXT STAR SS
20	CH87018	2	UNTERLAGSCHEIBE 10 X 9/16	RONDELLE 10 X 9/16	WASHER, #10 X 9/16 OD
21	CH70074	2	STIFTSCHRAUBE 10-32 X 1/4	VIS SANS TETE 10-32 X 1/4	SET SCR, 10-32 X 1/4 KCP
22	CH73197	1	KABELTUELLE 90°	EMBOUT 90°	STRAIN RELIEF, 90° DEGREE
24	CH89114	2	RAD 1-5/16 X 9.625	ROUE 1-5/16 X 9.625	WHEEL, 1-5/16 X 9.625 DIA
25	CH03107	1	ACHSE 5/8	AXE 5/8	AXLE, 5/8 X 17.06L
26	CH99667	10	SCHUTZSCHLAUCH	TUYAU DE PROTECTION	HEAT SHRINK, 3/4 ID UL/CSA
27	CH73943	1	FLANSCH	FLASQUE	SEAL, FRAME/TANK
28	CH20035	1	BRIDE 7/16	BRIDE 7/16	CLAMP, 7/16 DIA NYLON UL
29	2174/110	1	SCHLAUCHKLEMME 45-60	BRIDE 45-60	HOSE CLAMP 45-60
30	3304/209	2	SECHSKANTSCHRAUBE 1/4-20 X 1/2	VIS A TETE S.P. 1/4-20 X 1/2	HEXAGON SCREW 1/4-20 X 1/2
31	CH70057	3	LI.ZYL.SCHRAUBE MIT KS 1/4-20 X 1	VIS A TETE CYL. BOMB. 1/4-20 X 1	SCR, 1/4-20 X 1 PPHMS SS BLK

Ausführung/execution : List(e) /1.A

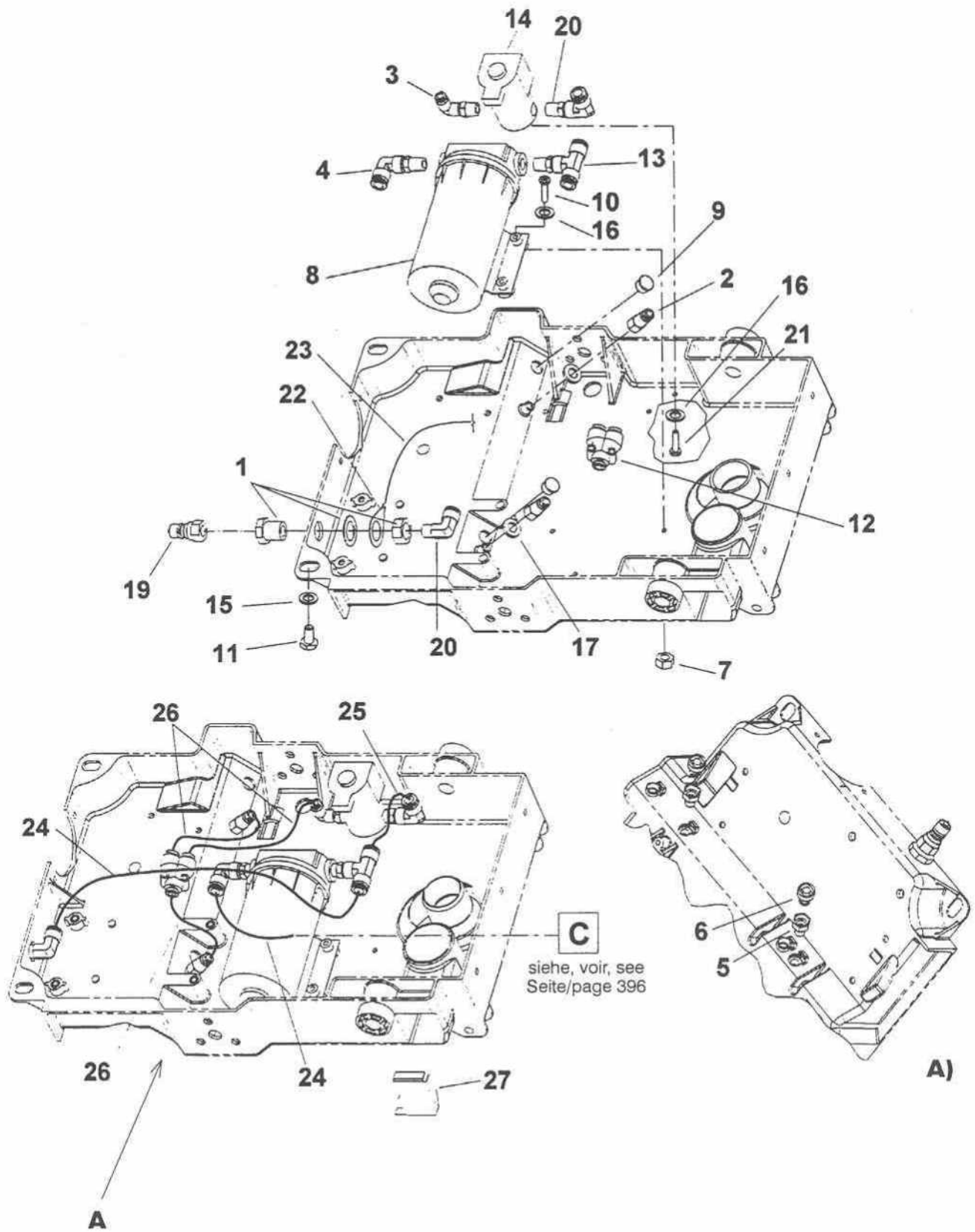
neu, nouveau, new :		
391	/1.1	/1
392	/1	/1.1
393	/1.1	/1
394	/1.1	-
395	-	/1
396	/1	/1.1
397	/1	/1
398	/1	-
399	-	/1





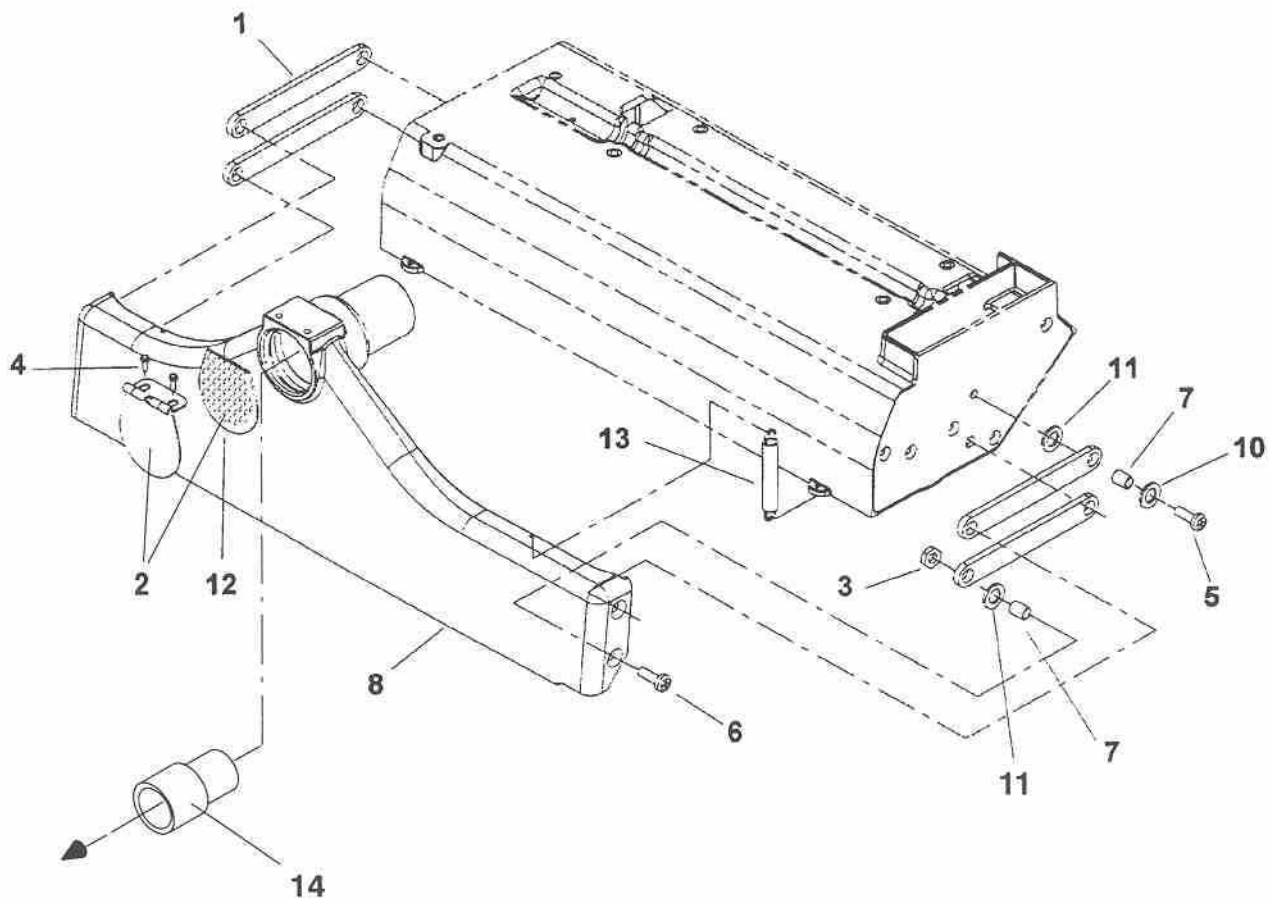
Typ <b>aquamat 30</b>			Bürstenpartie	Partie "Brosse"	Brush assembly
Serie <b>01</b>					
Pos.	Bestell-Nr. No. de commande Order-Nr.	Stück Pièces Qty.	Bezeichnung	Designation	Description
1	CH03110	1	ACHSE	AXE	AXLE, ROLLER
2	CH04084	1	ZAPFEN	PIVOT	ADAPTER, BRUSH BRG
3	CH09019	2	KUGELLAGER	ROULEMENT A BILLES	BEARING, 1.125ODX.500IDX.375
4	CH11045	1	RIEMEN	COURROIE	BELT, 180J6 MICRO-V
6	CH140343	1	FLANSCH	FLASQUE	BRKT, BRUSH PULLEY
7	CH140351	1	RASTERELEMEN	SUPPORT D'ARRET	BRKT, BRUSH HEIGHT
9	CH36192	1	SCHUTZDECKEL	COURVERCLE DE PROTECTION	GUARD, THREAD
10	CH41345	1	BUERSTENGEHAEUSE	BATI DE BROSSE	HOUSING, BRUSH 15"
11	CH50998	1	SCHILD	PLAQUETTE	LABEL, BRUSH HEIGHT
12	CH51311	1	STANGE	TIGE	LINKAGE, ASM, BRUSH HEIGHT
13	CH51312	1	STANGE	TIGE	LINKAGE ASM, ROLLER SUPPORT
14	CH51314	2	HEBEL	LEVIER	LINK, ROLLER, FRONT
15	CH51317	1	STELLHEBEL	LEVIER DE REGLAGE	LEVER, HEIGHT ADJUSTMENT
16	CH57030	4	SICHERUNGSMUTTER 10-32	ECROU SURETE 10-32	NUT, 10-32 HEX NYLOCK
17	CH57271	2	HALTEKAPPE 3/8	CAPOT DE RETENUE 3/8	NUT, 3/8 DIA CAP, TYPE PUSH PLT
18	CH62758	1	PLATTE RECHTS	PLAQUE DROIT	PLATE, BRUSH HOUSING RH
19	CH62759	1	PLATTE LINKS	PLAQUE GAUCHE	PLATE, BRUSH HOUSING LH
20	CH62762	2	PLATTE	PLAQUE	PLATE, AXLE RETAINER
22	CH66192	1	STIFT	GOUPILLE	PIN, ROLL 1/4 X 1.25L
23	CH67411	1	ROLLER	BOBINE	ROLLER, 1.9 DIA X 10.5 LG
24	CH70043	2	LI.ZYL.SCHRAUBE MIT KS 10-32 X 5/8	VIS A TETE CYL BOMB. 10-32 X 5/8	SCR, 10-32 X 5/8 PFHMS
25	CH70088	6	LI.ZYL.SCHRAUBE MIT KS 10-32 X 1/2	VIS A TETE CYL BOMB. 10-32 X 1/2	SCR, 10-32 X 1/2 PPHMS SS DL
26	CH70177	7	SENKSCHRAUBE KS 10-32 X 1/2	VIS A TETE CON. 10-32 X 1/2	SCR, 10-32 X 1/2 FHMS SS
27	CH70232	2	SENKSCHRAUBE KS 10-32 X 3/8	VIS A TETE CON. 10-32 X 3/8	SCR, 10-32 X 3/8 FHMS SS
Serv.	CH70162	-	LI.ZYL.SCHRAUBE MIT KS 10-32 X 3/8	VIS A TETE CYL BOMB. 10-32 X 3/8	SCR, 10-32 X 3/8 PHMS SS
28	CH70497	2	LI.ZYL.SCHRAUBE MIT KS 10-24 X 1/2	VIS A TETE CYL BOMB. 10-24 X 1/2	SCR, #10-24 X 1/2 SHCS
29	CH87016	4	SICHERUNGSSCHEIBE 10	RONDELLE DE SURETEE 10	WASHER, #10 LOCK EXT STAR SS
30	CH87018	6	UNTERLAGSCHEIBE 10 X 9/16	RONDELLE 10 X 9/16	WASHER, #10 X 9/16 OD
31	CH70675	4	LI.ZYL.SCHRAUBE MIT KS 1/4-20 X 5/8	VIS A TETE CYL BOMB. 1/4-20 X 5/8	SCR, 1/4-20 X 5/8 PPHMS PHIL
Serv.	CH70586	4	LI.ZYL.SCHRAUBE MIT KS 1/4-20 X 3/4	VIS A TETE CYL BOMB. 1/4-20 X 3/4	SCR, 1/4-20 X 3/4
34	CH27805	1	LAGERAUFNAHME	FIXATION POUR PALIER	CLIP, BEARING
35	CH29157	1	FLANSCH	FLASQUE	DRIVER, BRUSH
37	2911/11	1	SICHERUNGSRING 12 A	RONDELLE "SEEGER" 12 A	RETAINING RING 12 A
38	CH66310	2	STIFT 1/4 X 1/2	GOUPILLE 1/4 X 1/2	PIN, CLEVIS 1/4 X 1/2 PLTD
39	1931/57	2	SPLINT 2X16	GOUPILLE FENDUE 2X16	COTTER PIN 2X16
40	73966	1	SCHEIBE	DISQUE	SPACER .81ID X 1.06D, ALUM
41	CH64102	1	POULIE KOMPL	POULIE KOMPL	PULLEY ASM, BRUSH
42	CH29208	1	ANTRIEBSGRUPPE	POULIE, GROUPE SPEC.	DRIVER ASM, BRUSH
43	CH12514	1	BUERSTE 380 KOMPL	BROSSE 380 KOMPL	BRUSH 380 ASM

Typ <b>aquamat 30</b>			Pumpengruppe	Group "Pompe"	Pump assembly
Serie <b>01</b>					
Pos.	Bestell-Nr. No. de commande Order-Nr.	Stück Pièces Qty	Bezeichnung	Designation	Description
1	CH22072	1	VERSCHRAUBUNG 1/4	RACCORD 1/4	COUPLING, 1/4 ANCHOR W/1" HEX
2	CH22090	2	VERSCHRAUBUNG 1/8FPT X 1/4	CONNECTION 1/8FPT X 1/4	CONNECTOR, 1/8FPT X 1/4 TUBEQC
3	CH31072	1	WINKELVERSCHRAUBUNG 1/4MPTX1/4	EQUERRE 1/4MPTX1/4	ELBOW, SWIVEL, 1/4MPTX1/4TUBE
4	CH31073	1	WINKELVERSCHRAUBUNG 1/4MPTX3/8	EQUERRE 1/4MPTX3/8	ELBOW, SWIVEL, 1/4MPTX3/8TUBEQC
5	CH44067	2	DUESENHALTER	PORTE-TUYERES	JET BODY, MINI PROMAX BODY
6	CH44068	2	DUESE	BUSE	JET, MINI PROMAX 8003
7	CH57030	2	SICHERUNGSMUTTER 10-32	ECROU SURETE 10-32	NUT, 10-32 HEX NYLOCK
8	CH65189	1	PUMPE 230 V	POMPE 230 V	PUMP 230 V ASM,
9	CH66288	2	STOPFEN 9/16	TAMPON 9/16	PLUG, 9/16 OD BLK NYLON
10	CH70386	2	LI.ZYL.SCHRAUBE MIT KS 10-32 X 1.0	VIS A TETE CYL. BOMB. 10-32 X 1.0	SCR, 10-32 X 1.0 PPHMS
11	3304/209	2	SECHSKANTSCHRAUBE 1/4-20 X 1/2	VIS A TETE S.P. 1/4-20 X 1/2	SCR, 1/4-20 X 1/2 HHCS PLTD
12	CH34355	1	VERTEILER 1/4	PIECE D'EMBRANCHEMENT1/4	FITTING, 1/4 TUBE, "Y", QC
13	CH78420	1	T-STUECK 1/4 MPT X 3/8	RACCORD EN T 1/4 MPT X 3/8	TEE, 1/4 MPT X 3/8 TUBE, QC
14	CH84165	1	MAGNETVENTIL 230 V	SOUPAPE MAGNETIQUE 230 V	VALVE 230 V, ASM, SOLENOID CLP
15	CH87191	2	UNTERLAGSCHEIBE 1/4"IDX1.0	RONDELLE 1/4"IDX1.0	WASHER, 1/4"IDX1.0OD. FLAT SS
16	CH87018	4	UNTERLAGSCHEIBE 10 X 9/16	RONDELLE 10 X 9/16	WASHER, #10 X 9/16 OD
17	CH87192	2	GUMMISCHEIBE 7/16 X 3/4 X .19	RONDELLE D'ETANCH. 7/16 X 3/4 X .19	WASHER, 7/16 X 3/4 X .19RUBBER
19	CH22091	1	NIPPEL	RACCORD	NIPPLE
20	CH31076	2	WINKELVERSCHRAUBUNG 1/4 MPT X 3/8	EQUERRE 1/4 MPT X 3/8	ELBOW, 1/4 MPT X 3/8 TUBE, QC
21	CH70088	2	LI.ZYL.SCHRAUBE MIT KS 10-32 X 1/2	VIS A TETE CYL. BOMB. 10-32 X 1/2	SCR, 10-32 X 1/2 PPHMS SS
22	CH67420	1	RINGANSCHLUSS	COSSE DE CABLE	RING, GROUND
23	CH880228	1	LITZE, ERDUNG	CABLE, TERRE	WIRE, 24" GRN/18 76011 X STRIP
24	CH99250	0,74M	SCHLAUCH 3/8	TUYAU 3/8	HOSE, 3/8 URETHANE X 29" 2 x
25	CH99250	0,153M	SCHLAUCH 3/8	TUYAU 3/8	HOSE, 3/8 URETHANE X 6"
26	CH99251	0,153M	SCHLAUCH 1/4	TUYAU 1/4	HOSE, 1/4 URETHANE 3 x
27	CH73963	1	ABDECKUNG, SIEB	COUVERCLE, SIEVE	SCREEN, INTAKE



Typ	<b>aquamat 30</b>	<b>Saugdüse</b>	<b>Suceur</b>	<b>Vacuum shoe assy</b>
Serie	<b>01</b>			

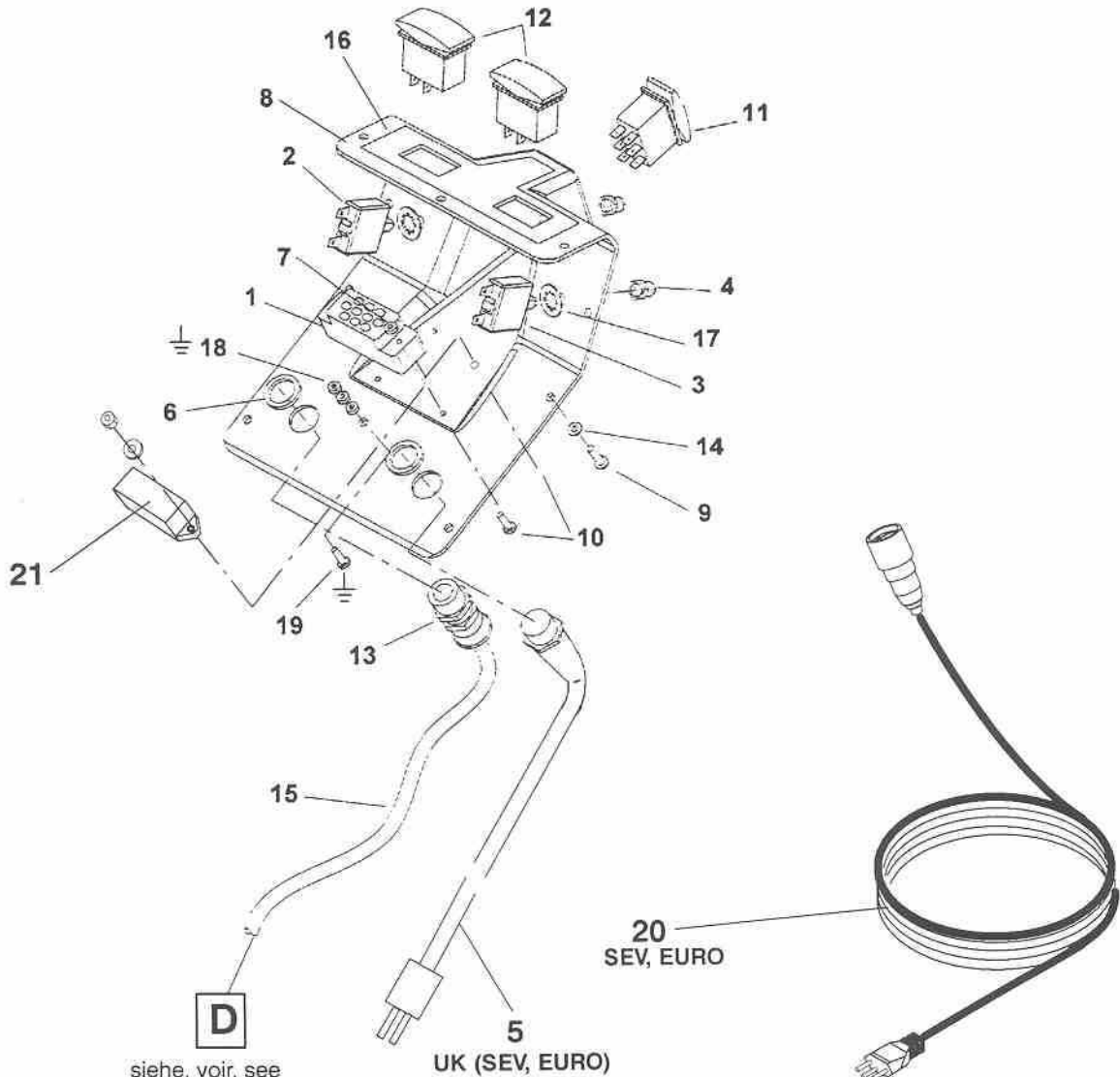
Pos.	Bestell-Nr. No. de commande Order-Nr.	Stück Pièces Qty.	Bezeichnung	Designation	Description
1	CH05016	4	FUEHRUNGSARM	BRAS	ARM, VAC SHOE PARALLEL
2	CH27751	1	ABDECKKLAPPE	TRAPPE	COVER, ACCESSORY PORT
3	CH57245	4	SICHERUNGSMUTTER 1/4-20	ECROU SURETE 1/4-20	NUT, 1/4-20 HEX NYLOCK SS
4	CH70351	2	LI.ZYL.SCHRAUBE MIT KS 10-32 X 3/8	VIS A TETE CYL BOMB. 10-32 X 3/8	SCR, 10-32 X 3/8 HHTR W/STAR
5	3304/195	4	LI.ZYL.SCHRAUBE MIT KS 1/4-20 X.75	VIS A TETE CYL BOMB. 1/4-20 X.75	SCR, 1/4-20 X.75 PPHMS PHIL
6	CH70390	4	LI.ZYL.SCHRAUBE MIT KS 1/4-20 X 1	VIS A TETE CYL BOMB. 1/4-20 X 1	SCR, 1/4-20 X 1 FHCS PLTD
7	CH73958	8	BUCHSE	DOUILLE	SPACER, 3/8ODX.058WX.2814,CRS
8	CH85039	1	SAUGFUSS 15"	PIED D'ASPIRATION 15"	VAC SHOE, 15"
10	CH87013	4	UNTERLAGSCHEIBE 1/4 ID X 5/8	RONDELLE 1/4 ID X 5/8	WASHER, 1/4 ID X 5/8 OD SS
11	CH87074	8	WELLENSCHEIBE 3/8ID X3/4D X.125	ENTRETOISE 3/8ID X3/4D X.125	WASHER, WAVE 3/8ID X3/4D X.125
12	CH35171	1	DICHTUNG	JOINT	GASKET, ACCESSORY PORT
13	CH73955	2	ZUGFEDER .38D X2.75L X.055	RESSORT .38D X2.75L X.055	SPRING, EXT .38D X2.75L X.055W
14	CH27759	-	MUFFE	MANCHON	BUSHING



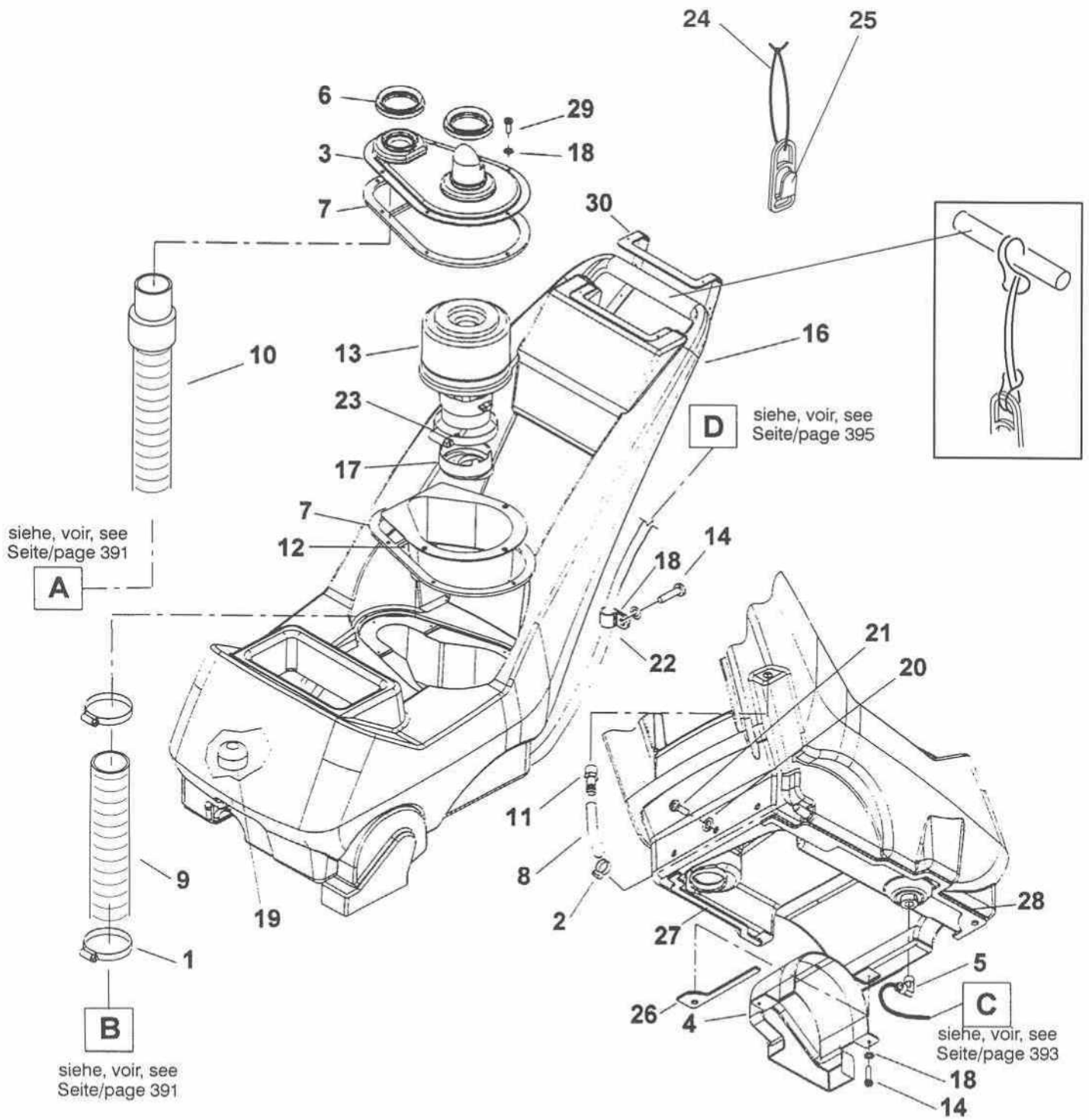


Typ <b>aquamat 30</b>			<b>Bedienungstableau</b>	<b>Tableau de commande</b>	<b>Control panel assy</b>
Serie <b>01</b>					

Pos.	Bestell.-Nr. No. de commande Order.-Nr.	Stück Pièces Qty.	Bezeichnung	Designation	Description
1	CH14020	1	STECKERBLOCK	CONNECTEUR	TERMINAL BLOCK (3-4-3)
2	CH14312	1	UEBERSTROMAUSLOESER 7 A	DISJONCTEUR DE SURCHARGE 7 A	BREAKER, 7 A
3	CH14949	1	UEBERSTROMAUSLOESER 4 A	DISJONCTEUR DE SURCHARGE 4 A	BREAKER, 4 A
4	CH14942	2	SCHUTZHAUBE	CAPOT DE PROTECTION	BOOT, 3/8" CIRCUIT BREAKER
5	---	1	ANSCHLUSSKABEL SEV, EURO	CABLE SEV, EURO	CORD ASM, 14/3 X 22" YLW SEV, EURO
6	CH57040	2	SECHSKANTMUTTER 1/2 NPT	ECROU A SIX PANS 1/2 NPT	NUT, 1/2 NPT CONDUIT
7	CH57116	2	SECHSKANTMUTTER 6-32	ECROU A SIX PANS 6-32	NUT, 6-32 W/STAR WASHER PLTD
8	CH61349	1	TABLEAU MOD. 230 V	TABLEAU MOD. 230 V	PANEL, CADET CONTROL MOD. 230 V
9	CH70626	9	LI.ZYLSCHRAUBE MIT KS 10 X 3/4	VIS A TETE CYL BOMB. 10 X 3/4	SCR, #10 X 3/4 PPHST HI-LO BLK
10	CH70235	2	LI.ZYLSCHRAUBE MIT KS 6-32 X 1.0	VIS A TETE CYL BOMB. 6-32 X 1.0	SCR, 6-32 X 1.0 PH BLK NYLON
11	CH72126	1	WIPPSCHALTER, 3 POSITIONEN	INTERRUPTEUR A BASCULE, 3 POS.	SWITCH, DPDT 3-POSITION ROCKER
12	CH72130	2	WIPPSCHALTER, 2 POSITIONEN	INTERRUPTEUR A BASCULE, 2 POS.	SWITCH, SPST 2-POSITION ROCKER
13	CH73505	1	KABELVERSCHRAUBUNG 1/2 NPT	PRESSE-ETOUPE 1/2 NPT	STRAIN RELIEF, 1/2 NPT TRUMPET
14	CH87189	9	UNTERLAGSSCHEIBE .2 IDX.500	RONDELLE .2 IDX.500	WASHER, .2 IDX.500 BLK SS
15	CH41353		KABEL	CABLE	REF/HARNNESS, MAIN, CDT
16	CH500044	1	SCHILD	PLAQUETTE	LABEL CONTR
17	CH87100	2	SICHERUNGSSCHEIBE 3/8	RONDELLE DE SURETE 3/8	WASHER, 3/8 ID INT.LOCK THIN
18	CH57104	3	SECHSKANTMUTTER 10-32	ECROU A SIX PANS 10-32	NUT, 10-32 W/STAR WASHER PLTD
19	CH70386	1	LI.ZYLSCHRAUBE MIT KS 10-32 X 1.0	VIS A TETE CYL BOMB. 10-32 X 1.0	SCR, 10-32 X 1.0 PPHMS
20	55042-75	1	VERLAENGERUNGSKABEL SEV	CORDE D'ALLONGEMENT SEV	CORD SET, 14/3 SJTW-A X 50' YLW
	55042-76	1	VERLAENGERUNGSKABEL EURO	CORDE D'ALLONGEMENT EURO	EXTENSION CORD EURO
21	CH34362	1	ENTSTOERFILTER	FILTRE D'ANTIPARASITAGE	FILTER

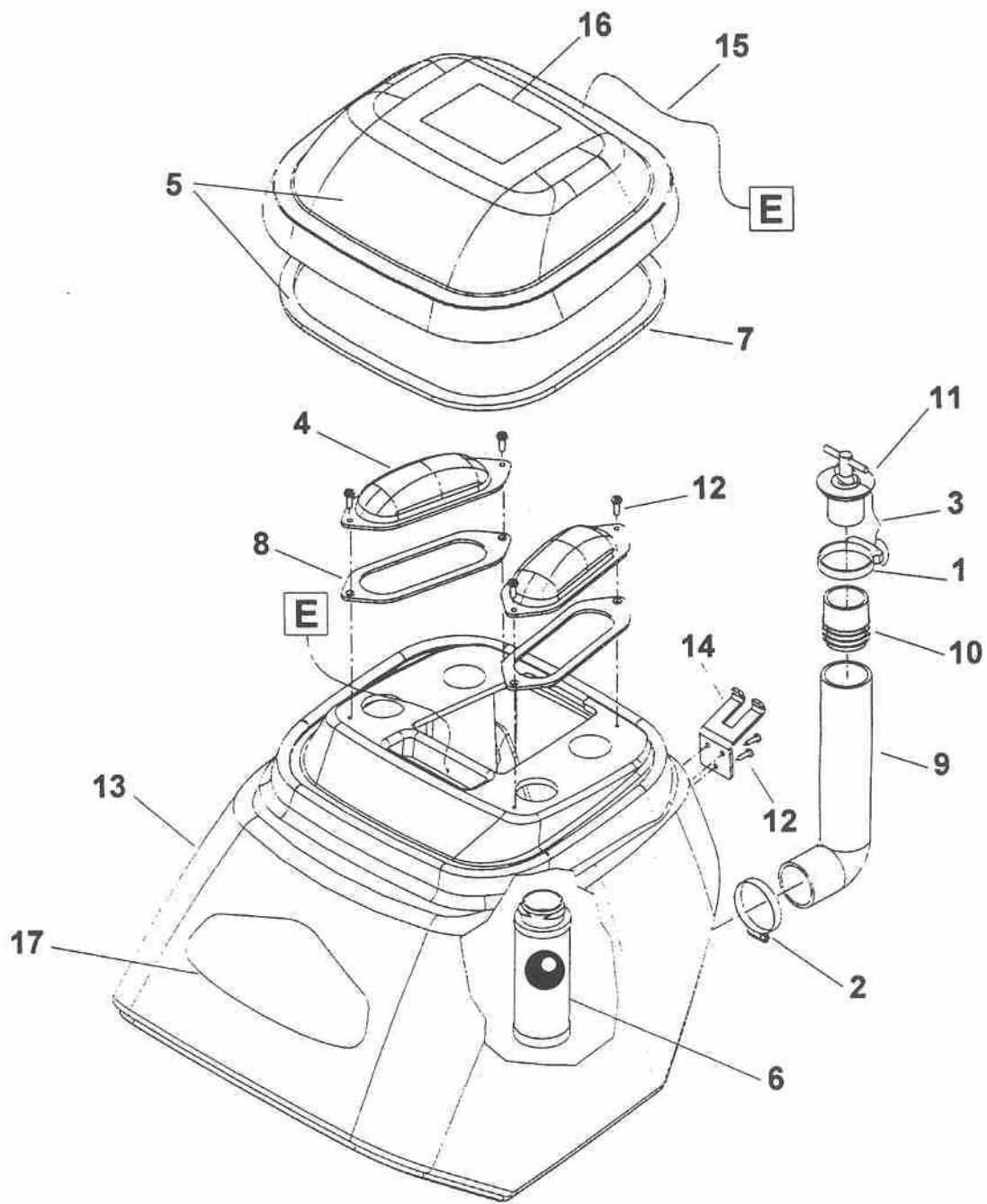


siehe, voir, see  
Seite/page 396



Typ <b>aquamat 30</b>			Tank	Réservoir	Solution tank assy
Serie <b>01</b>					
Pos.	Bestell-Nr. No. de commande Order-Nr.	Stück Pièces Qty	Bezeichnung	Designation	Description
1	2174/110	3	SCHLAUCHKLEMME 45-60	BRIDE 45-60	HOSE CLAMP 45-60
2	2178/12	1	SCHLAUCHKLEMME 12-20	BRIDE 12-20	HOSE CLAMP 12-20
3	CH27809	1	DECKEL	COUVERCLE	COVER, VAC MOTOR
4	CH27810	1	ABDECKUNG	PROTECTION	COVER, BELT
5	CH31081	1	WINKELVERSCHRAUBUNG 3/8 MPT X 3/8	EQUERRE 3/8 MPT X 3/8	ELBOW, 3/8 MPT X 3/8 TUBE, QC
6	CH35175	2	DICHTRING	ANNEAU D'ETANCHEITE	GASKET, TANK TO VAC COVER
7	CH35231	2	DICHTUNG	JOINT	GASKET, VAC COVER (CLP FAMILY)
8	8819/6	0,30M	SCHLAUCH 12/18	TUYAU 12/18	HOSE 12/18
9	CH39536	1	SCHLAUCH 1,5 X 3" (5" KUERZEN)	TUYAU 1,5 X 3" (5" REDUCT.)	HOSE, 1.5 BLK VAC X 3" (5" CUT)
10	CH39528	1	SCHLAUCH	TUYAU	HOSE ASM, 1.5 BLK VAC X 15.5
11	CH40049	1	NIPPEL 3/8 MPT X 1/2 NYL	RACCORD 3/8 MPT X 1/2 NYL	HOSEBARB. 3/8 MPT X 1/2 NYL
12	CH41348	1	MOTORGEHAEUSE	BATI DE MOTEUR	HOUSING, VAC MOTOR
13	CH53791	1	SAUGMOTOR 230 V	TURBINE 230 V	VAC MOTOR 230 V ASM, CLP FAMILY
	4700/113	2	KOHLBUERSTE	BALAI CHARBON	CARBON BRUSH
14	CH70114	5	LI.ZYL.SCHRAUBE MIT KS 10 X 3/4	VIS A TETE CYL BOMB. 10 X 3/4	SCR, #10 X 3/4 PPHST TYPE B
16	CH75276	1	FRISCHWASSERTANK ORANGE	RESERVOIR ORANGE	TANK ORANGE, CDT SOLUTION
17	CH85037	1	GUMMIMUFFE	PIECE DE CAOUTCHOUC	VENT, COOLING AIR SMALL
18	CH87018	11	UNTERLAGSCHEIBE 10 X 9/16	RONDELLE 10 X 9/16	WASHER, #10 X 9/16 OD
19	CH73864	1	FILTER 3/8"	FILTRE 3/8"	STRAINER, 3/8 IN. NPT 60 MESH
20	CH87013	3	UNTERLAGSCHEIBE 1/4 X 5/8	RONDELLE 1/4 X 5/8	WASHER, 1/4 ID X 5/8 OD SS
21	CH70085	3	LI.ZYL.SCHRAUBE MIT KS 1/4-20 X 1/2	VIS A TETE CYL BOMB. 1/4-20 X 1/2	SCR, 1/4-20 X 1/2 PPHMS SS DL
22	CH20035	2	BRIDE	BRIDE	CLAMP, 7/16 DIA NYLON UL
23	CH20092	1	BRIDE 3.5"	BRIDE 3.5"	CLAMP, 3.5" WORM GEAR
24	14504-16	1	ZUGSCHLINGE	BOUCLE DE RETENTION	RETENTION LOOP
25	4425/021	1	KABELZUGENTLASTUNG	ETRANGLOIR	STRAIN RELIEF
26	CH35236	1	DICHTUNG	JOINT	GASKET, TANK, L-F
27	CH35237	1	DICHTUNG	JOINT	GASKET, TANK, L-R
28	CH35238	1	DICHTUNG	JOINT	GASKET, TANK, RH
29	CH70525	6	LI.ZYL.SCHRAUBE MIT KS 10 X 1.0	VIS A TETE CYL BOMB. 10 X 1.0	SCR, #10 X 1.0 PPHST TYPE B
30	CH35235	1	DICHTUNG	JOINT	GASKET, CDT PANEL

Typ <b>aquamat 30</b>			Schmutzwassertank	Réservoir	Recovery tank assy
Serie <b>01</b>					
Pos.	Bestell-Nr. No. de commande Order-Nr.	Stück Pièces Qty.	Bezeichnung	Designation	Description
1	CH20002	1	BRIDE 2"	BRIDE "	CLAMP, 2.00 NYLON RATCHET
2	2174/110	3	SCHLAUCHKLEMME 45-60	BRIDE 45-60	HOSE CLAMP 45-60
3	14504-16	1	ZUGSCHLINGE	BOUCLE DE RETENTION	RETENSION LOOP
4	CH27816	2	SCHAUGLAS	LUNETTE DE CONTROLE	COVER, REC. TANK
5	CH28061	1	HAUBE	CAPOT	DOME, CLP FAMILY
6	CH34351	1	SCHWIMMER	FLOATTEUR	FLOAT SHUT-OFF
7	CH35230	1	DICHTUNG	JOINT	GASKET, DOME
8	CH35232	2	DICHTUNG	JOINT	GASKET, PORT COVER
9	CH39353	1	SCHLAUCH	TUYAU	HOSE, 1.5 X 12.0 DRAIN
10	CH40019	1	SCHLAUCHMUFFE 1,5	MANCHON 1,5	HOSEBARB, 1.5 DOUBLE MCHD
11	CH66227	1	VERSCHLUSS	FERMETURE	PLUG, DRAIN HOSE
12	CH70114	7	LI.ZYL.SCHRAUBE MIT KS 10 X 3/4	VIS A TETE CYL BOMB. 10 X 3/4	SCR, #10 X 3/4 PPHST TYPE B
13	CH75291	1	SCHMUTZWSSERTANK ORANGE	RESERVOIR DE RECUPERATION	TANK, CDT RECOVERY
14	CH140133	1	HALTER	FIXATION	BRKT, RECOVERY HOSE MTG
15	8807/011	0,30M	SEIL	CORDELETTE	CORD, 99807 1/8 X 12"
16	---	1	HINWEISSCHILD	PLAQUE D'INFORMATION	LABEL, WARNING
17	CH500043	1	SCHILD TASKI	PLAQUETTE TASKI	LABEL TASKI



Typ **aquamat 30**

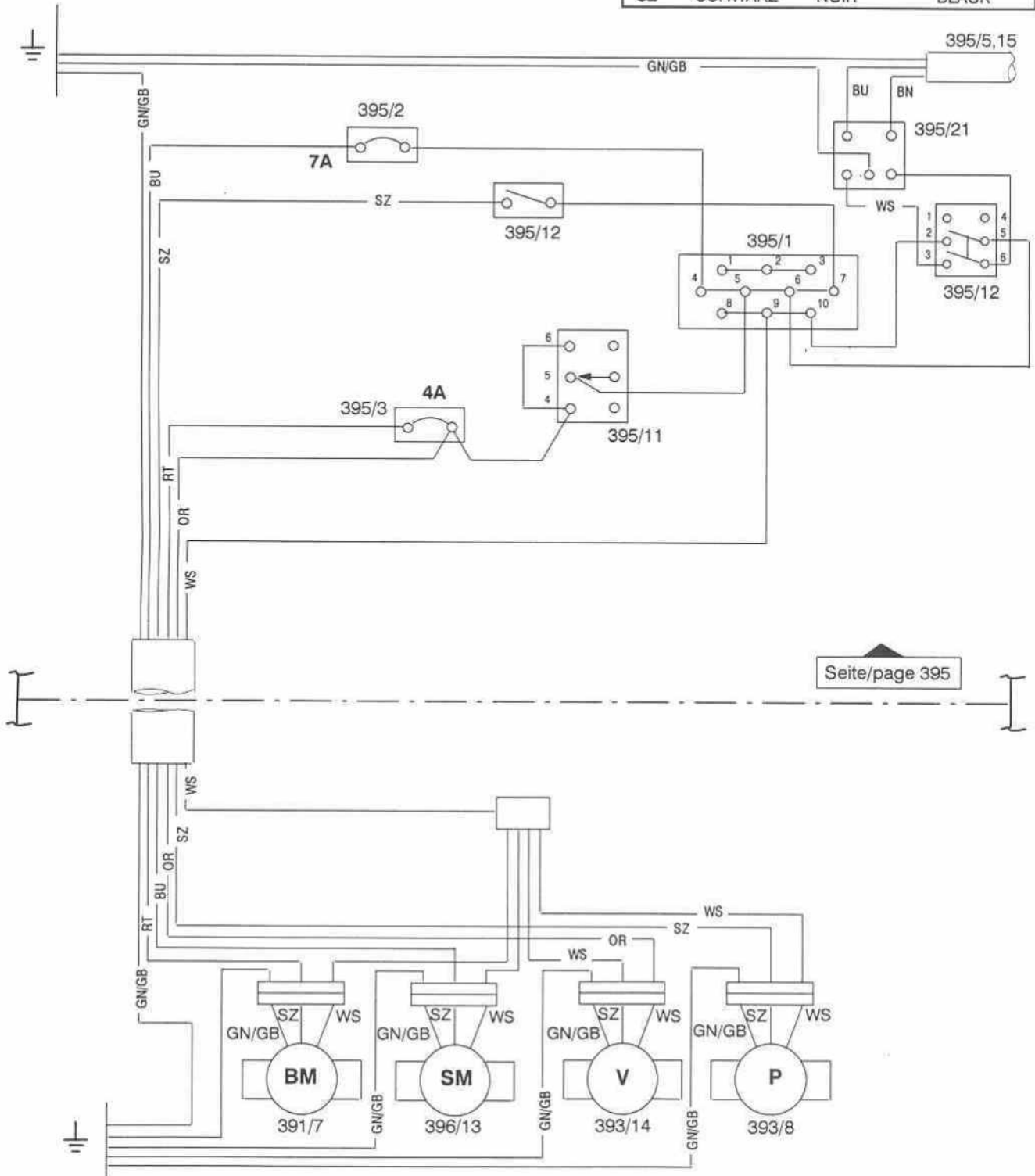
Serie **01**

**Elektroschema**

**Schema électrique**

**Wiring diagram**

<b>BN</b>	BRAUN	BRUN	BROWN
<b>BU</b>	BLAU	BLEU	BLUE
<b>GB</b>	GELB	JAUNE	YELLOW
<b>GN</b>	GRUEN	VERT	GREEN
<b>RT</b>	ROT	ROUGE	RED
<b>SZ</b>	SCHWARZ	NOIR	BLACK



Seite/page 395

<b>SM</b>	MOTORTURBINE	TURBINE	VACUUM MOTOR
<b>BM</b>	BUERSTENMOTOR	MOTEUR DE BROSSE	BRUSH MOTOR
<b>V</b>	VENTIL	SOUPAPE	VALVE
<b>P</b>	PUMPE	POMPE	PUMP